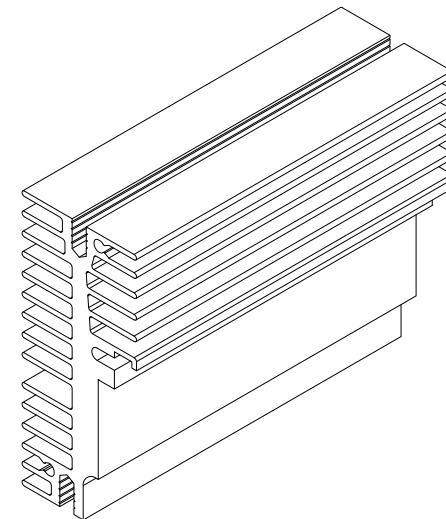
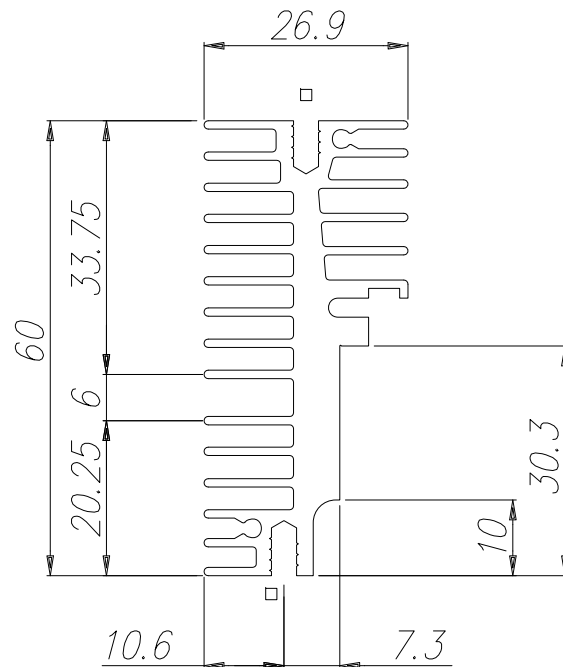


# A60M

Peso Kg/m **1.54**  
Weight Kg/m

Rt °C/W **3.00**

Lung. campione mm **100**  
Sample length mm



- Cava per M4
- Groove for screw M4

**TECNOAL**  
BOLOGNA - ITALY

**TECNOAL**  
MECHANICAL ENGINEERING FOR ELECTRONICS

## TECNOAL

Via C. Bonazzi 19-21  
40013 Castel Maggiore  
Bologna - Italy  
Tel : +39-051-7092301  
Fax: +39-051-702335  
web: [www.tecnoal.it](http://www.tecnoal.it)  
e-mail: [info@tecnoal.it](mailto:info@tecnoal.it)

COMPANY  
WITH QUALITY MANAGEMENT  
SYSTEM CERTIFIED BY DNV

≡ ISO 9001 : 2000 ≡

## Notes:

-----  
-----  
-----  
-----  
-----  
-----  
-----  
-----  
-----  
-----