

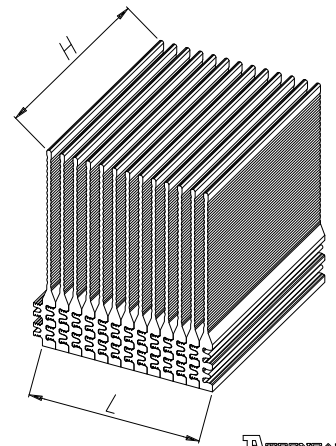
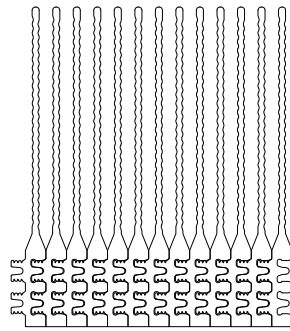
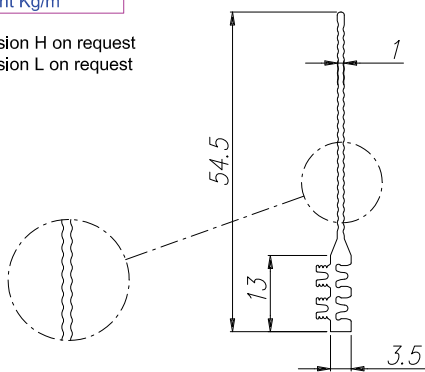
# New profiles on development

B

I 54

Peso Kg/m 0.25  
Weight Kg/m

Dimension H on request  
Dimension L on request



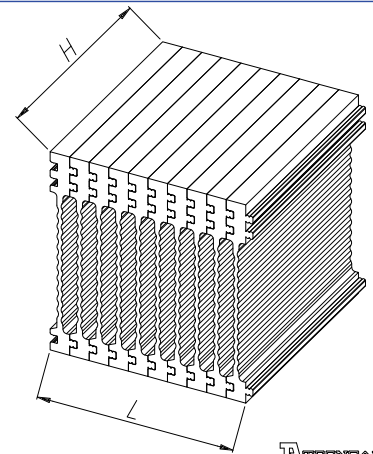
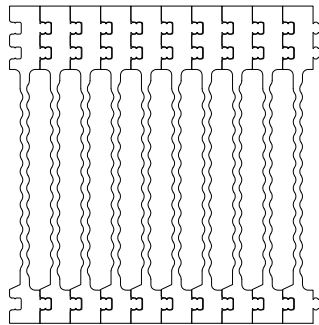
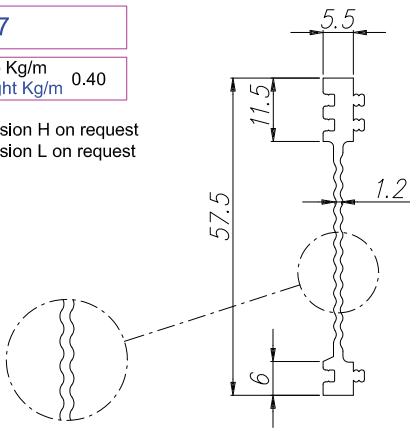
ATECNAL  
BOLOGNA - ITALY

C

I 57

Peso Kg/m 0.40  
Weight Kg/m

Dimension H on request  
Dimension L on request



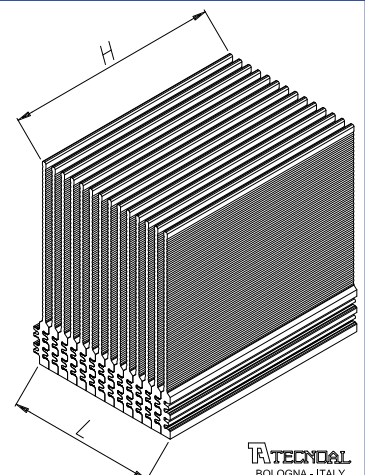
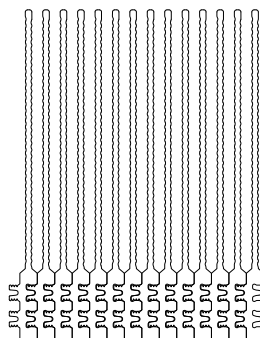
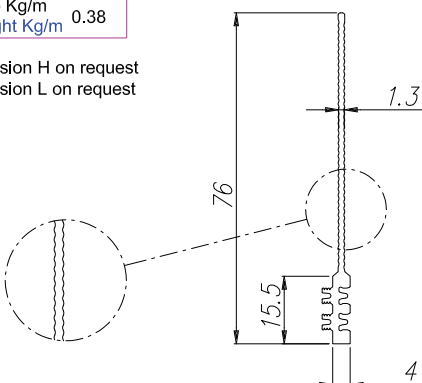
ATECNAL  
BOLOGNA - ITALY

D

I 76

Peso Kg/m 0.38  
Weight Kg/m

Dimension H on request  
Dimension L on request



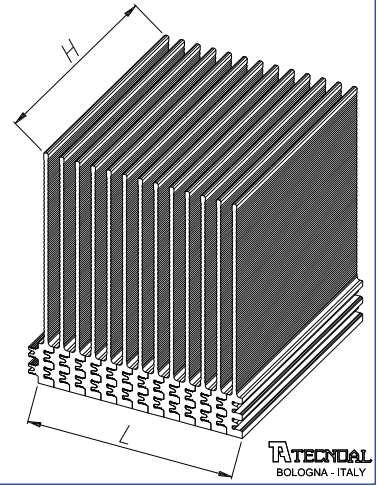
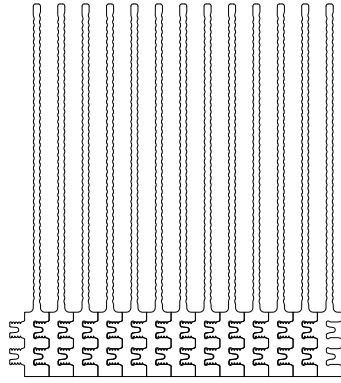
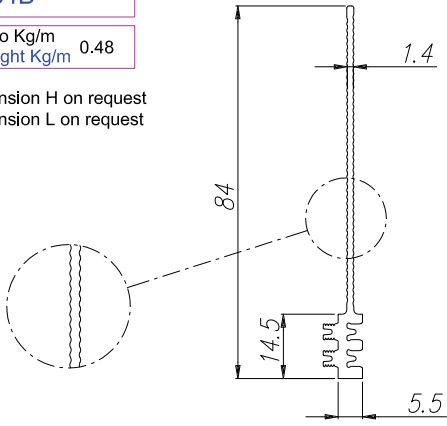
ATECNAL  
BOLOGNA - ITALY

### I 84B

Peso Kg/m 0.48  
Weight Kg/m

Dimension H on request  
Dimension L on request

A



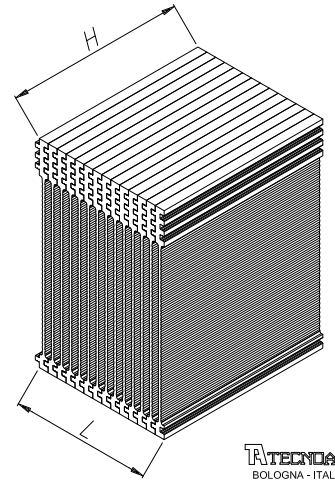
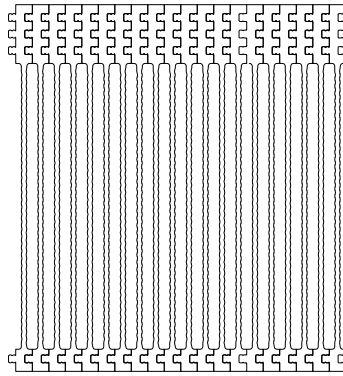
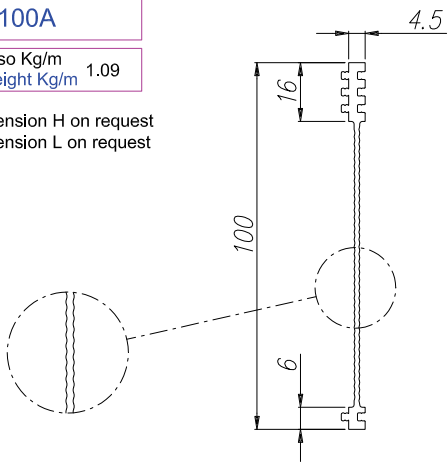
**ATECNAL**  
BOLOGNA - ITALY

### I 100A

Peso Kg/m 1.09  
Weight Kg/m

Dimension H on request  
Dimension L on request

B



**ATECNAL**  
BOLOGNA - ITALY

C

**ATECNAL**  
BOLOGNA - ITALY

D

**ATECNAL**  
BOLOGNA - ITALY